

075 Quartz Dual Passthru

Application

Connect up to 5 permanent pressure gauges on a single conductor with DataCan's Multi-Gauge Quartz Dual Passthru Tool. This tool comes in a pressure testable version for quality assurance.

Benefits

The Multi-Gauge Passthru Quartz Tool is quick and easy to install and produces high quality well or reservoir data in real time. Its fully welded construction, dual protection metal to metal seal design, and hermetically sealed electronics, make it a very reliable gauge. Since it acts as both a gauge and a WYE splice, it helps reduce the cost of the permanent system while increasing reliability.

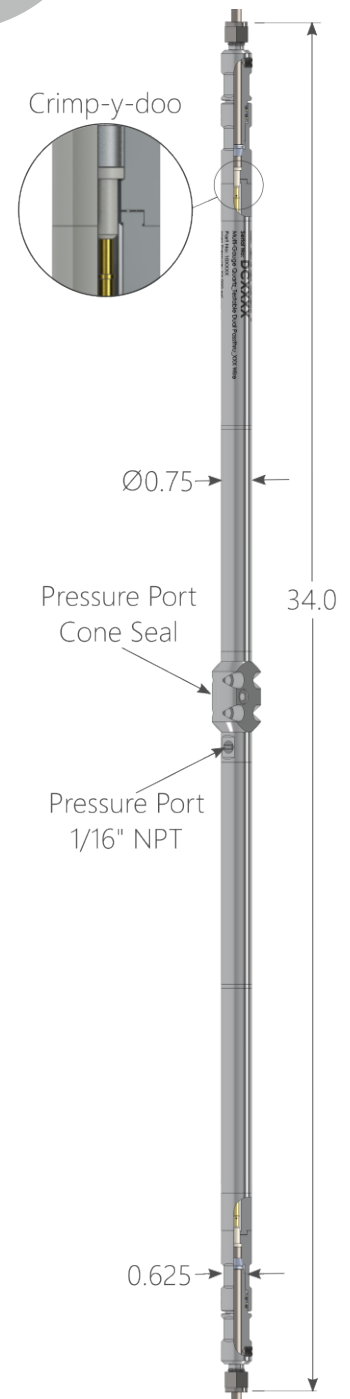
The Crimp-y-doo, at the heart of DataCan's new gauge design, ensures correct wire prep and prevents the TEC conductor from pulling up into the armor. If you find yourself assembling a gauge without a crimp-y-doo, you just better crimp-y-don't!

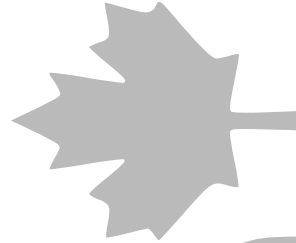
Features

- 5 Dual Gauges on a Single Conductor
- No WYE Needed
- Fully Welded Construction
- Hermetically Sealed
- Dual Protection Metal to Metal Seal Design
- Corrosion Resistant - NACE MR0175

Multi-Gauge Quartz Dual Passthru Pressure Tool - Pressure Testable

Pressure	Temperature	Material	Part No.
10,000 psi	150°C	Inconel	1/4" Wire
16,000 psi			113525
			113526





Accessories

Accessory Type	Part No.
	1/4" Wire
Redress Kit Sour	112757

*Each Redress Kit is for one connection. Two kits are required to redress a Passthru Tool.

Specifications

	Pressure	Temperature
Accuracy Up To	0.022% F.S.	0.25°C
Resolution	0.00006% F.S.	0.005°C
Drift	< 3 psi / year	< 0.1°C / year

datacan